

产品规格书

Specification of Products

产品名称：三相整流桥

产品型号：MDS100A

浙江世菱电力电子有限公司

ZHEJIANG SHILING POWER ELECTRON CO.,LTD.

厂址：浙江省 缙云县 五东工业区

电话：（0578）3012571 3615078

传真：（0578）3611180

邮编：321400

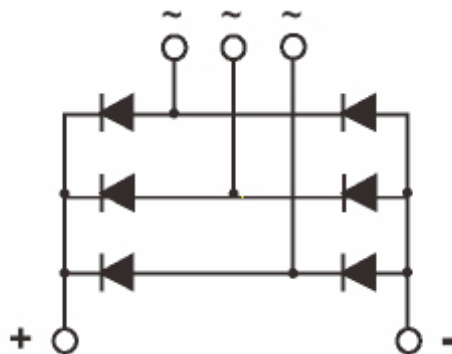
E-mail:smrshiling01@163.com

Http://www.smrshiling.com

| | | |
|-----|-----|----|
| 拟制 | 审核 | 核准 |
| 金明辉 | 曹剑龙 | 宗瑞 |

| SYMBOL | CHARACTERISTIC | TEST CONDITIONS | T _j (°C) | VALUE | | | UNIT |
|----------------------|--|---|---------------------|-------|------|-------|----------------------------------|
| | | | | M in | Type | M ax | |
| I _o | DC output current | Three-phase full wave rectifying circuit, T _c =100°C | 150 | | 100 | | A |
| V _{RRM} | Repetitive peak reverse voltage | V _{RRM} tp=10ms V _{RSM} = V _{DRM} &V _{RRM} +200V | 150 | 600 | | 1800 | V |
| I _{RRM} | Repetitive peak current | at V _{RRM} | 150 | | | 10 | mA |
| I _{FSM} | Surge forward current | 10ms half sine wave | 150 | | | 0.92 | KA |
| I ² t | I ² T for fusing coordination | V _R =0.6V _{RRM} | | | | 4.2 | A ² s*10 ³ |
| V _{FO} | Threshold voltage | | 150 | | | 0.80 | V |
| r _F | Forward slop resistance | | | | | 4.0 | mΩ |
| V _{FM} | Peak forward voltage | I _{FM} =150A | 25 | | | 1.3 | V |
| R _{th(j-c)} | Thermal resistance Junction to heatsink | Single side cooled | | | | 0.150 | °C /W |
| V _{iso} | Isolation voltage | 50Hz,R.M.S,t=1min,I _{iso} :1mA(max) | | 3000 | | | V |
| F _m | Terminal connection torque(M5) | | | | 5.0 | | N.m |
| | Mounting torque(M6) | | | | 5.0 | | N.m |
| T _{stg} | Stored temperature | | | -40 | | 125 | °C |
| W _t | Weight | | | | 175 | | g |
| Outline | | | | | | | |

OUTLINE DRAWING & CIRCUIT DIAGRAM



Rating and Characteristic

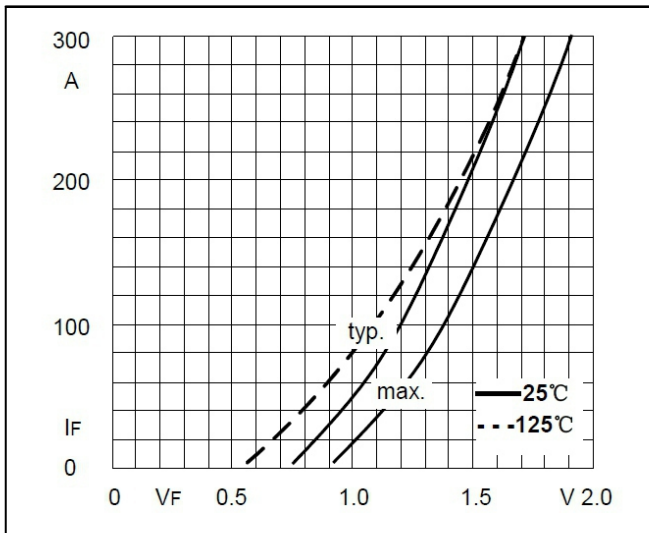


Fig1. Forward Characteristics

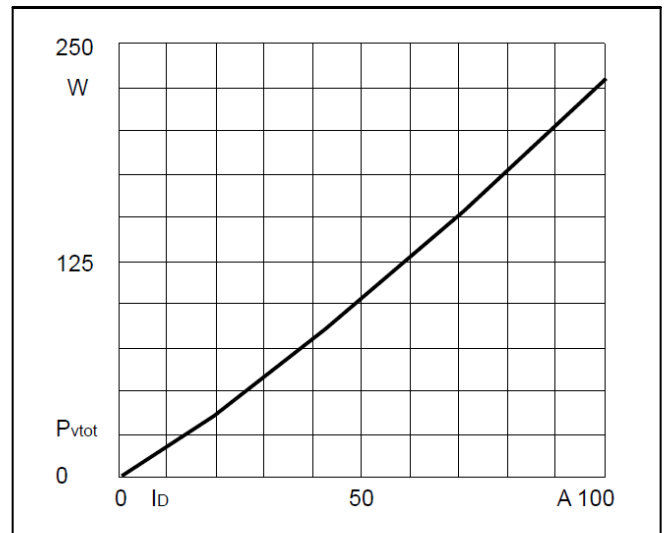


Fig2. Power dissipation

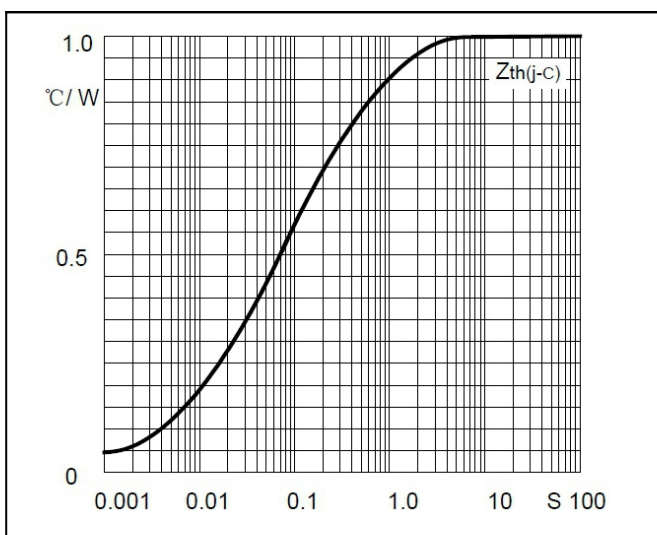


Fig3. Transient thermal impedance

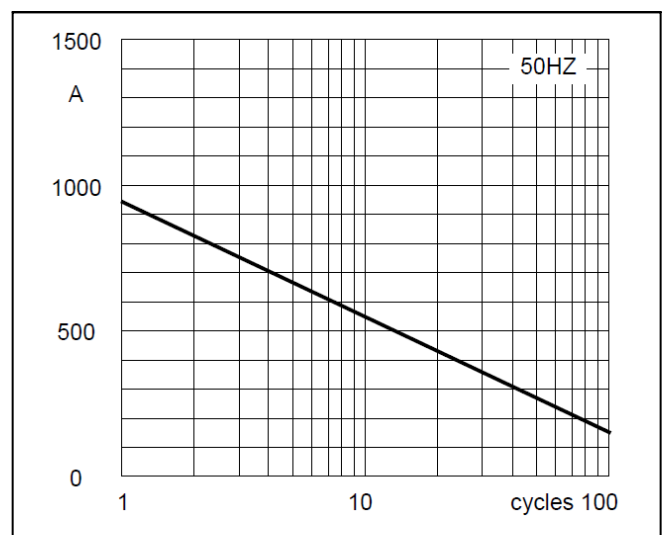


Fig4. Max Non-Repetitive Forward Surge Current

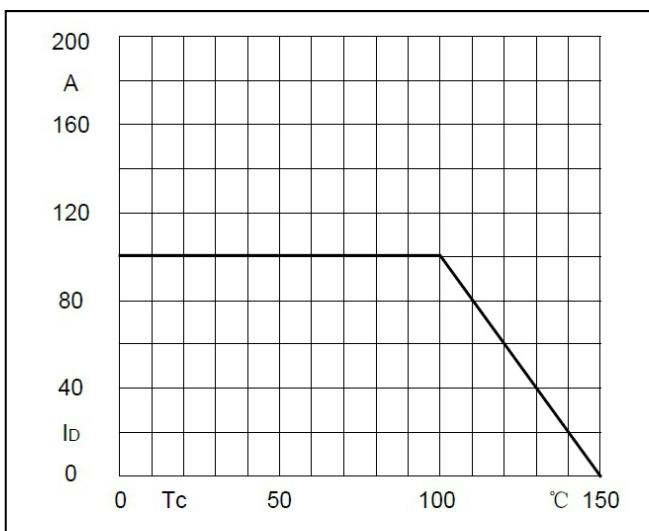
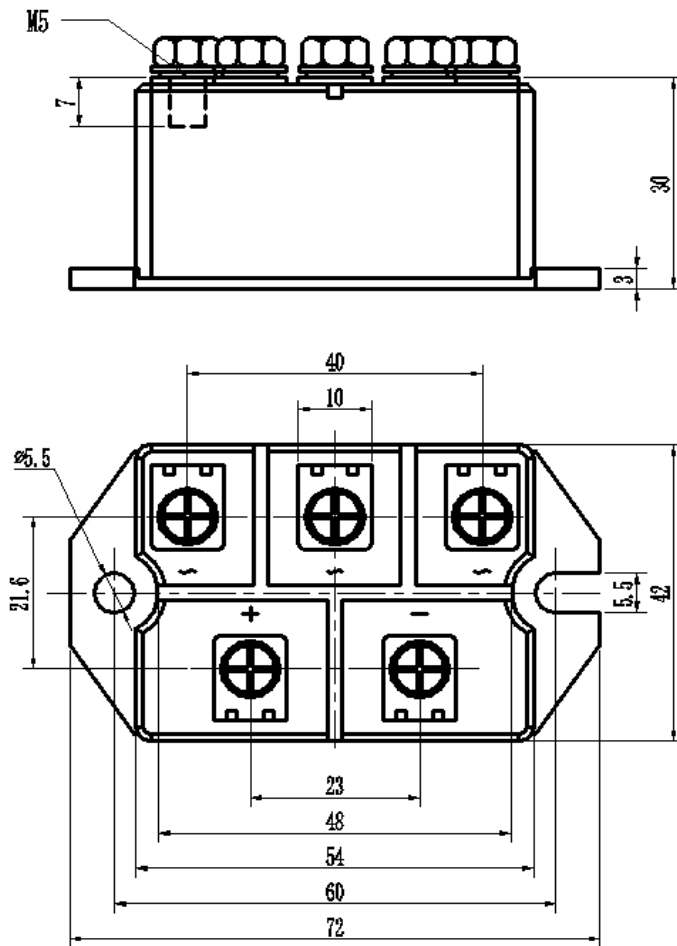


Fig5. Forward Current Derating Curve

Package Outline Information



Dimensions in mm

